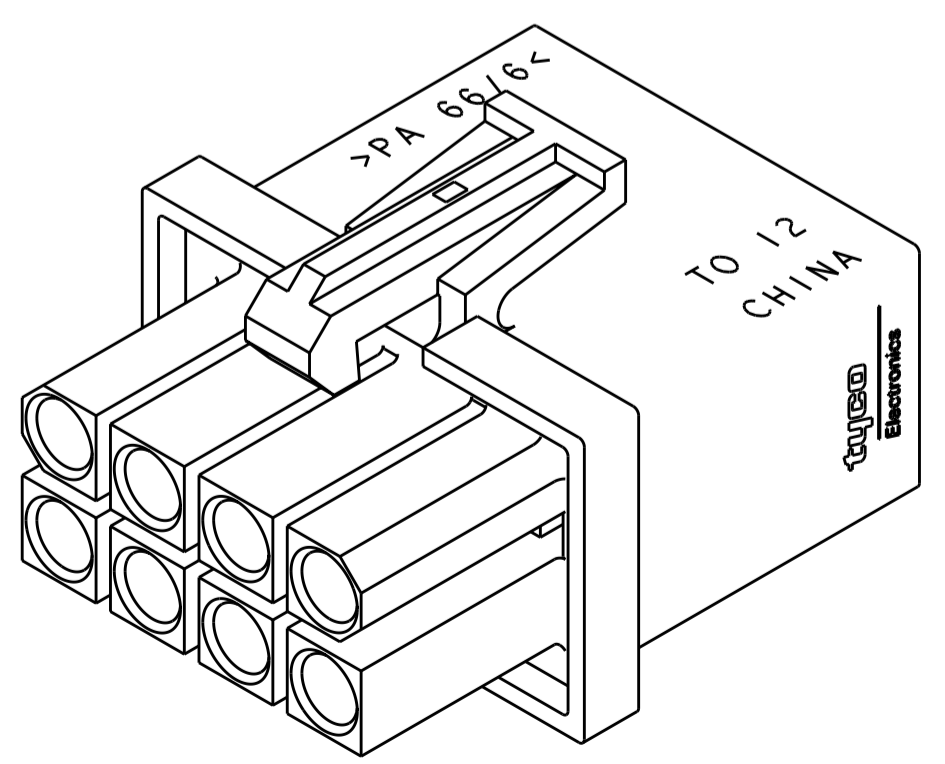
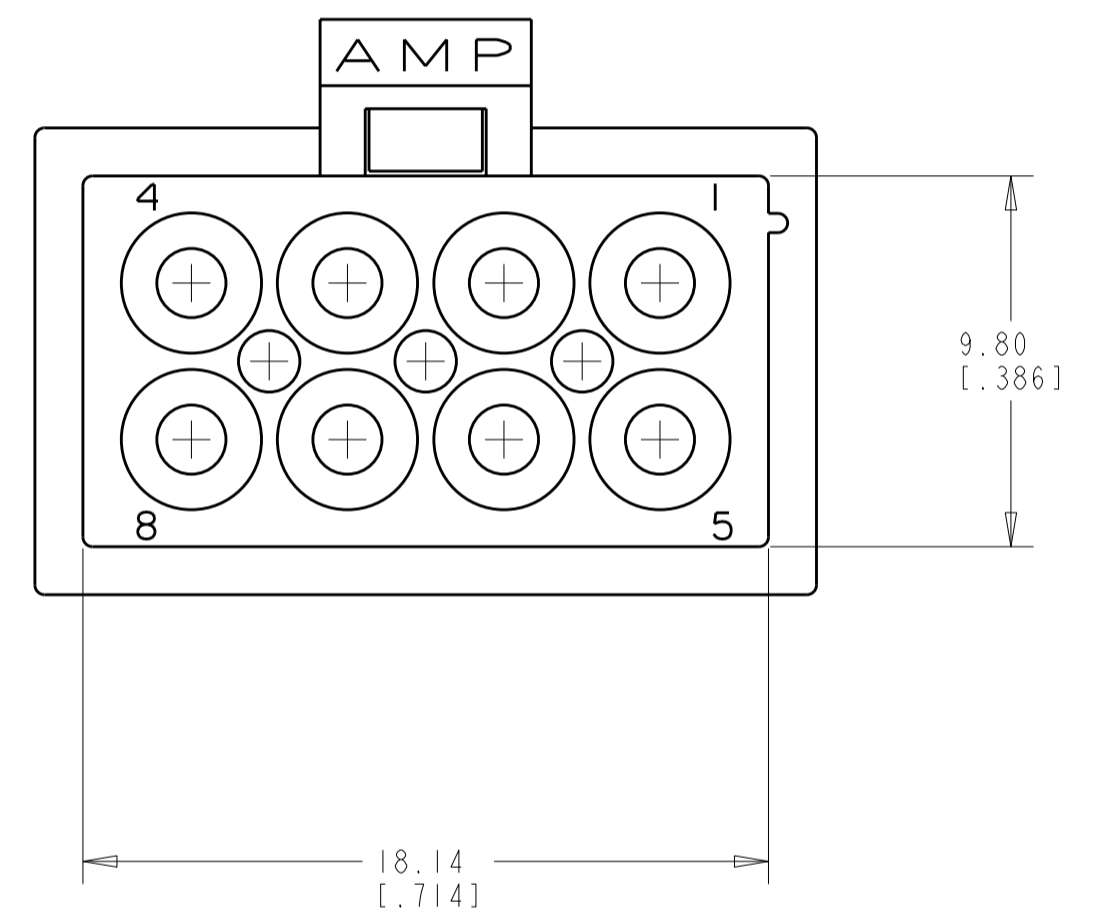
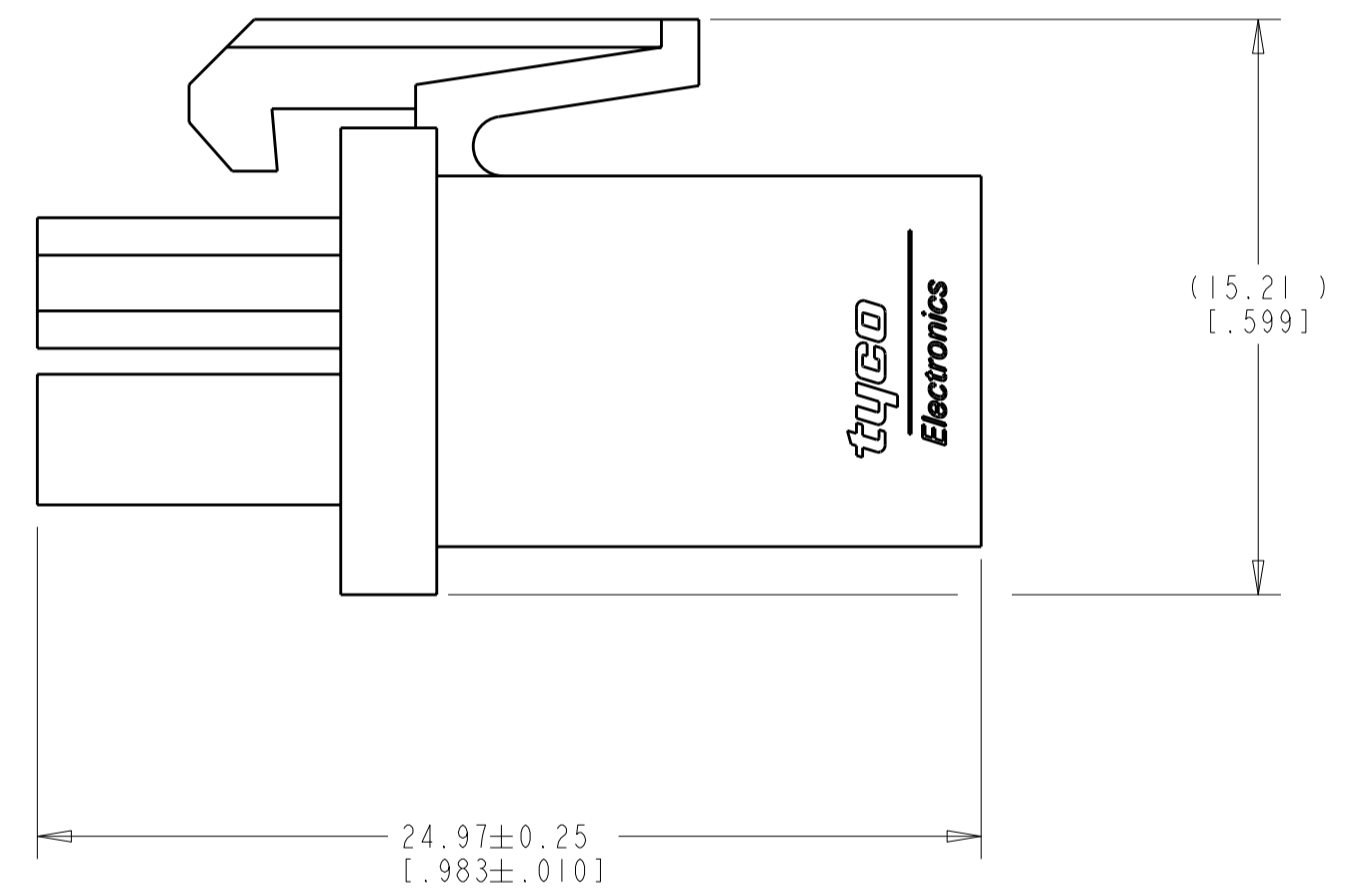
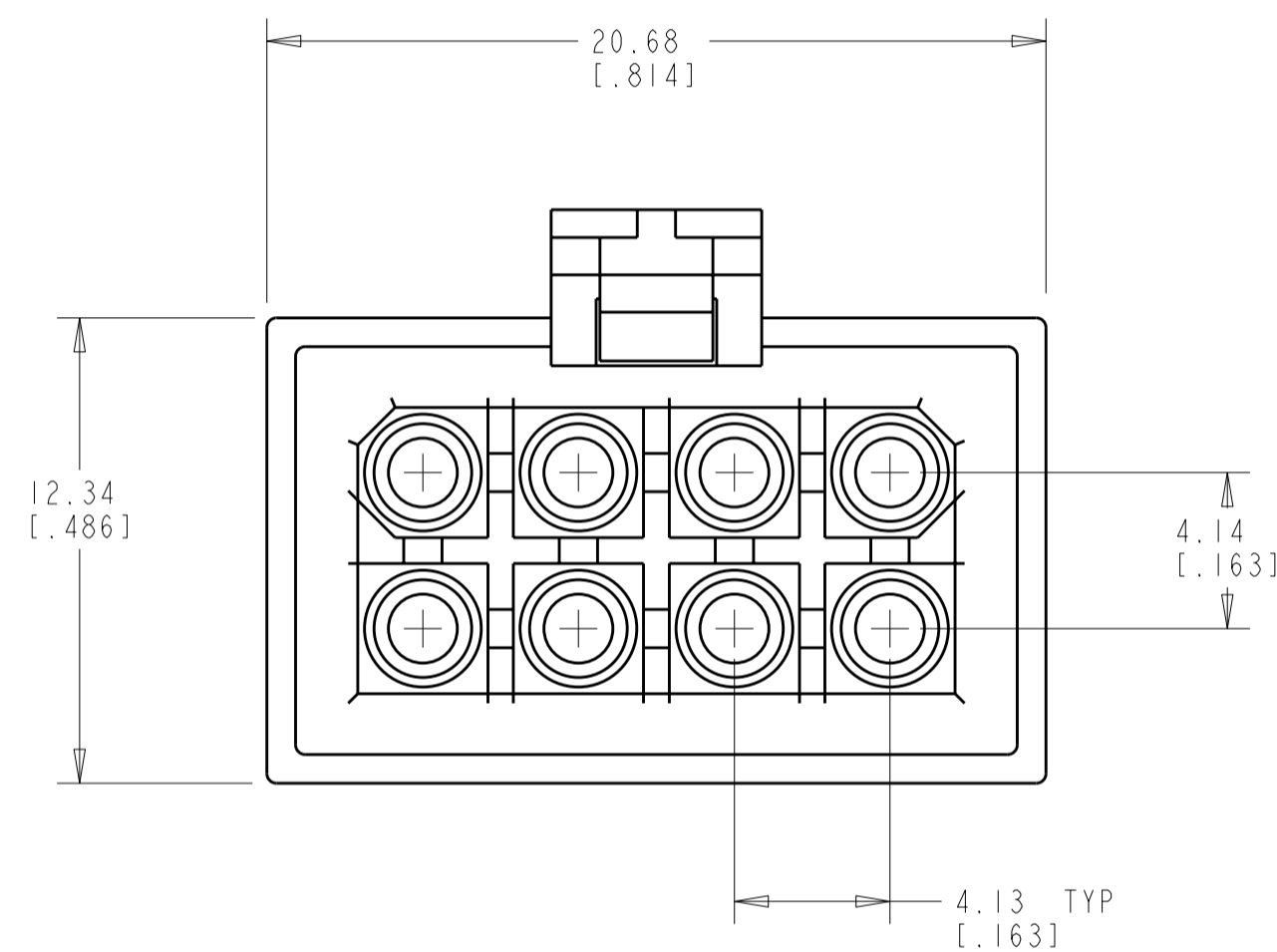


THIS DRAWING IS UNPUBLISHED. RELEASED FOR PUBLICATION 20
 © COPYRIGHT 20 BY - ALL RIGHTS RESERVED.

LOC	DIST	REVISIONS					
CM	00	P	LTR	DESCRIPTION	DATE	DWN	APVD
			BI	REVISED PER ECO-11-005027	15MAR2011	RK	HMR

1. DIMENSIONS IN BRACKETS ARE IN INCHES.



3 DIMENSIONAL MODEL
SCALE 4:1

METRIC

THIS DRAWING IS A CONTROLLED DOCUMENT.		DWN K. WHITAKER	10MAY2000	TE Connectivity	
DIMENSIONS: mm [INCHES]		CHK K. COBLE	10MAY2000		
TOLERANCES UNLESS OTHERWISE SPECIFIED:		APVD K. COBLE	10MAY2000	NAME PLUG, 8 CIRCUIT, MINI UNIVERSAL MATE-N-LOK(TM)	
0 PLC ±- 1 PLC ±- 2 PLC ±013 [.005] 3 PLC ±- 4 PLC ±- ANGLES ±0° 30'		PRODUCT SPEC		SIZE	A2
MATERIAL NYLON, UL 94V-0, WHITE		APPLICATION SPEC		CAGE CODE	00779
		WEIGHT		DRAWING NO	C-794821
		CUSTOMER DRAWING		SCALE	5:1
				SHEET	1 OF 1
				REV	BI

794821-1
PART NUMBER